

MICOS

MOTION CONTROL & OPTICS **USA**

[Terms](#) | [Sitemap](#) | [About us](#) | [Contact](#) | [Catalog](#) | [Shows](#) | [News](#) | [Offices](#) | [Partners](#) | [Press Center](#) | [Support](#) | [Team](#) | [Home](#)

MICOS USA • 15375 BARRANCA PARKWAY • STE G101 • IRVINE • CA 92618 • PHONE 949 480 0538 • FAX 949 480 0538

Page

◀ 6.005 ▶

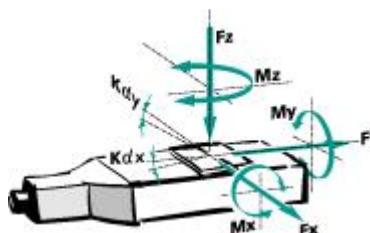
Linear Stage AMT-65 S

Manual Positioners



Key features

- Travel range 25 mm
- Load capacity 16 kg
- Crossed-roller bearings
- Module combination



FACTS

Load Characteristics	Fx (N)	-Fy (N)	+Fy (N)	Fz (N)	Mx (Nm)	My (Nm)	Mz (Nm)	kax (μrad/Nm)	kay (μrad/Nm)
MM-010	70	80	10	160	20	35	20	70	40

DESCRIPTION

Manually driven Linear Stages **AMT-65 S** are suited for precision adjustment and manipulation of samples, optics and other test pieces. With crossed-roller bearings higher load capacity can be achieved. It results no stick-slip when positioning the slide. A pressure spring is operating with force of 10N (-Fy) against the micrometer screw. Higher forces can be compensated with help of an

exchange spring (max.80N) (included in delivery).The thread of the micrometer is hardened and ground. Manually driven Linear Stages AMT-65 S are supplied with a centrally or side mounted micrometer. With only little effort and without additional adapter the Linear Stages AMT-65 S can be assembled to XY-, XYZ systems.

Technical data

Travel Range (mm)	25
Accuracy (μm)	+/- 5
Straightness / Flatness (μm)	+/- 1
Pitch (μrad)	+/- 100
Yaw (μrad)	+/- 80
Micrometer Pitch (mm)	0.5

Scale Resolution (μm)

MM-010, Micrometer	10
--------------------	----

Sensitivity (μm)

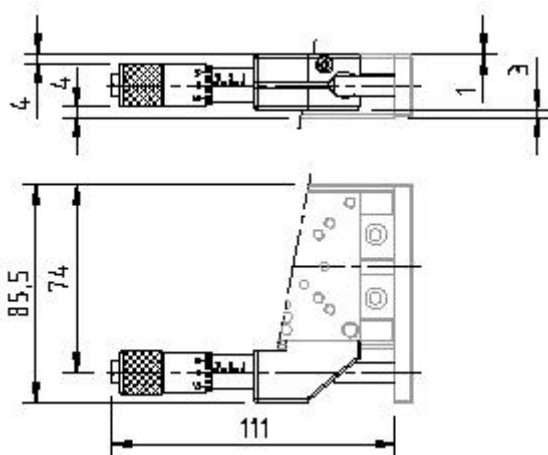
MM-010, Micrometer	1.2
--------------------	-----

Material	Special Alu, black anodized
-----------------	-----------------------------

Weight (kg)	0.55
--------------------	------

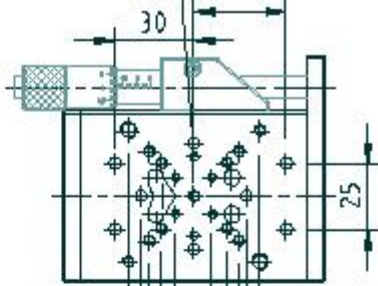
Note: Motorized version capture, see page: **2.070 (Run Out Model: MT-65)**

AMT-65 S Knobs



2 holes borefit for dowel $\phi 3H7$, depth: 5, distance: 30

35 / 4 holes c^h bored M4 (DIN 74 - Km4)



$\phi 14$ / 4 holes M3 thd, depth: 5

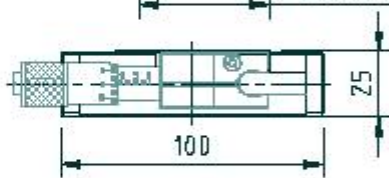
$\phi 25$ / 4 holes M4 thd, depth: 5

$\phi 34$ / 4 holes M4 thd, depth: 5

40 / 4 holes borefit for dowel $\phi 4H7$, depth: 5, diagonal

$\phi 50$ / 2 holes M4 thd, depth: 5

$\phi 50$ / 2 holes M6 thd, depth: 5



$\phi 50$ / 2 holes M6 thd, depth: 5, diagonal

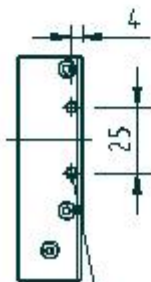
$\phi 50$ / 2 holes M4 thd, depth: 5, diagonal

$\phi 34$ / 4 holes M4 thd, depth: 5

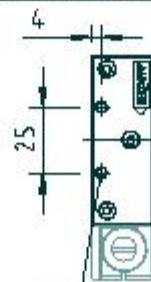
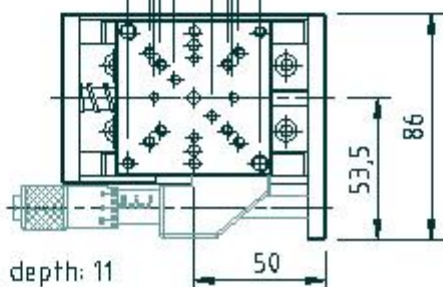
30 / 4 holes borefit for dowel $\phi 3H7$, depth: 5, diagonal

$\phi 25$ / 4 holes M4 thd, depth: 6

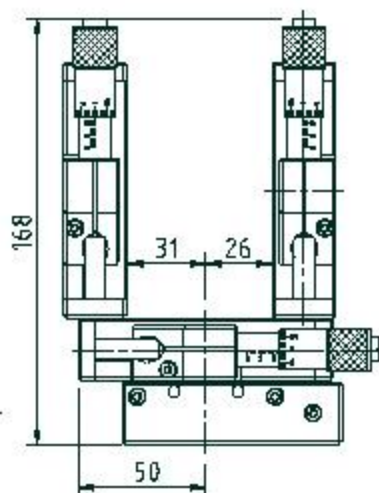
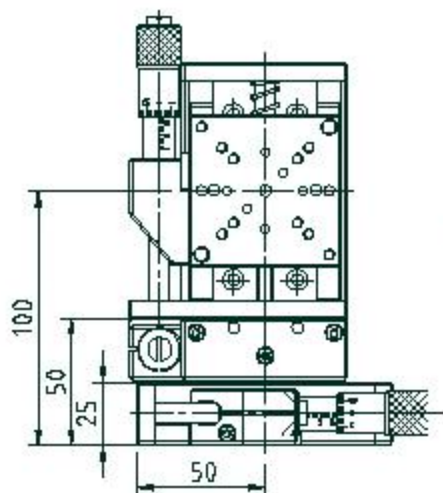
$\phi 14$ / 2 holes c^h bored M3 (DIN 74 - Km3)



2 holes M4 thd, depth: 11



2 holes M4 thd, depth: 11



AMT-65 S Ordering information

Linear Stage	Order-No.
AMT-65 S	6225-9-510

Founded in 1990, MICOS specializes in the development, manufacturing and marketing of ultra-high precision positioning components and systems for research and industry. We are experts in vacuum, ultra-high vacuum, clean room, and extreme climate environments down to 77 Kelvin. ▶▶

[Terms](#) | [Sitemap](#) | [About us](#) | [Contact](#) | [Catalog](#) | [Shows](#) | [News](#) | [Offices](#) | [Partners](#) | [Press Center](#) | [Support](#) | [Team](#) | [Home](#)
MOTION CONTROL = [Systems](#) | [Positioners](#) | [MiniPositioners](#) | [DirectDrives](#) | [Controllers](#) | [ManPositioners](#) | [Accessories](#) | [Vacuum](#)
MAC PhotonX = [Moskito](#) | [Albatros](#) | [Campus](#)

Copyright 2006 © MICOS GmbH